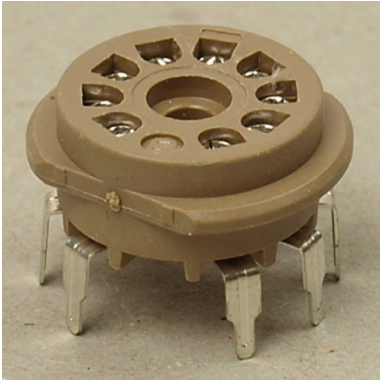
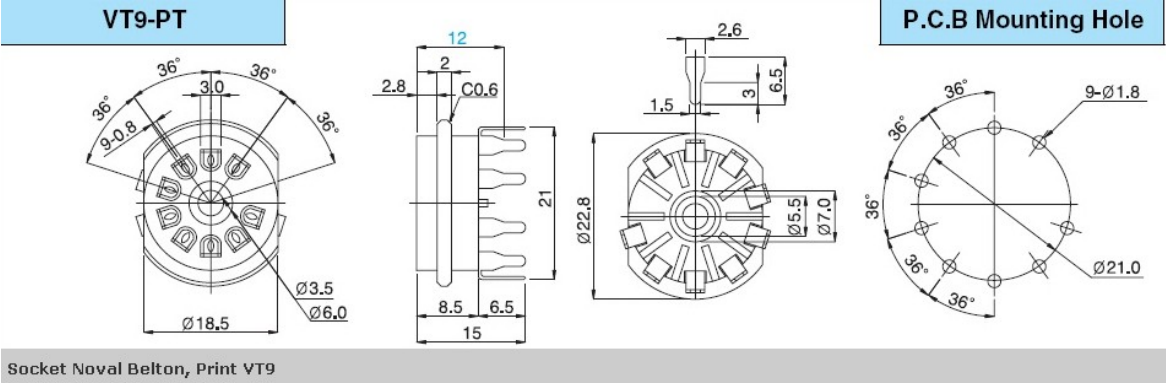


Socket Noval Belton, Print VT9



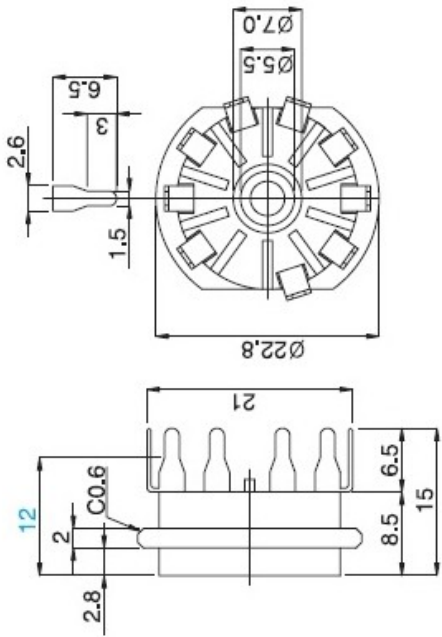
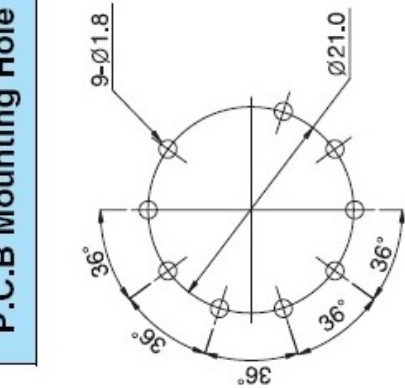
Type:	Noval Socket Belton VT9
Version:	High quality Micallex socket
Termination Style:	print / pcb mount
for Tube Type:	12AX7, 12AT7, 12AU7, EL84,EZ81, EL844 etc.



Socket Noval Belton, Print VT9

Socket Noval Belton, Print VT9

P.C.B Mounting Hole



VT9-PT

